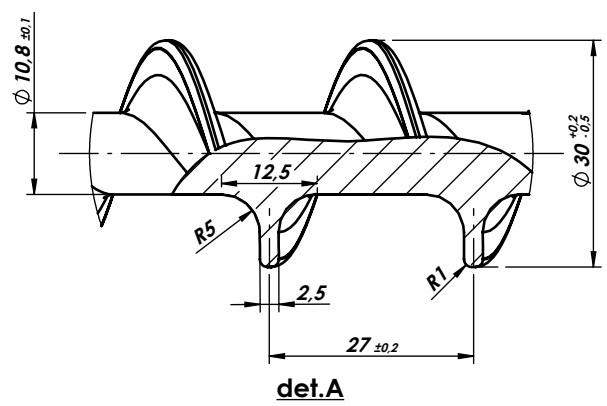
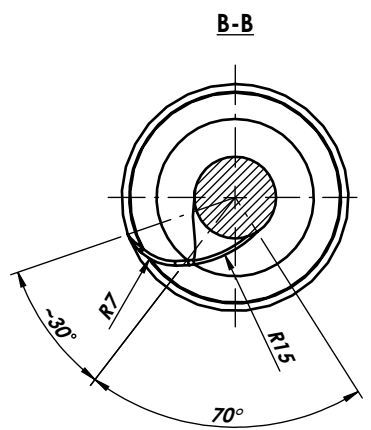
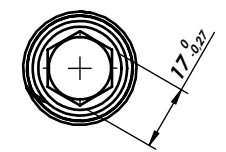
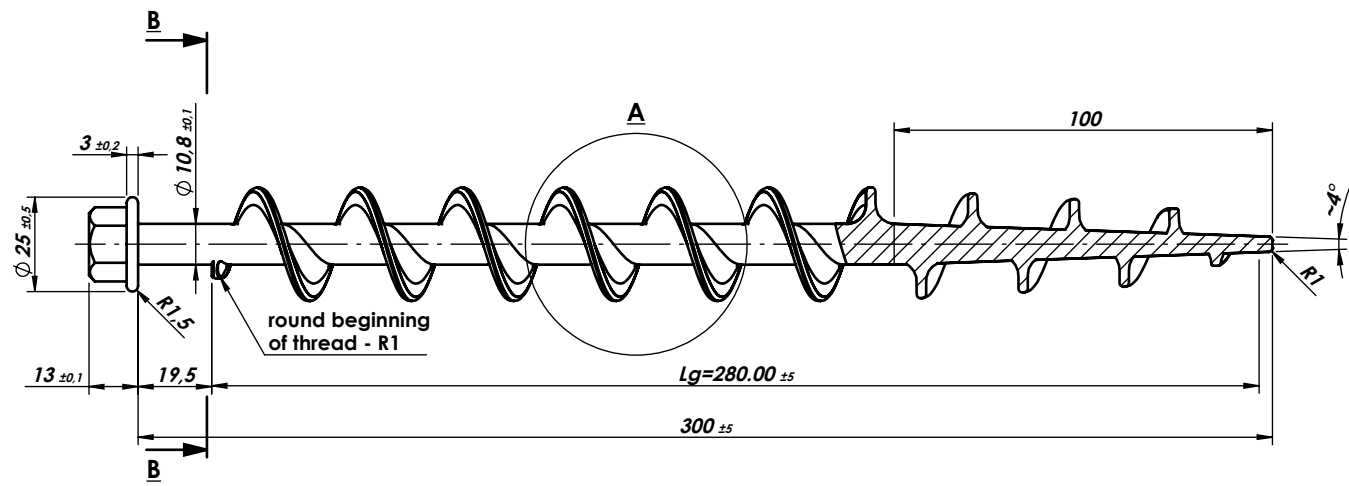


This document is the absolute property of DOMAX Sp. z o.o. This document must not be copied without the written permission of DOMAX Sp. z o.o. The contents thereof must not be disclosed to a third party nor be used for any unauthorized purpose. Contravention will be prosecuted.

Revision				
Rev.	Explanation	Date	Revised by	Approved by



- Note:**
- General tolerances EN 22768 mK.
 - Material: Polyamide with the addition of fiberglass and UV inhibitors.

Design	D. Kozłowski	Checked	-	Approved	-	Note	
Drawn	D. Kozłowski	Format	A4	Scale	1:2	Material	PA6 GF30
Index	482961	Date	14.10.2020	Screw to the ground		Weight	
		PWP				Sheet	1 / 1
DOMAX Sp. z o.o.						Rev	0