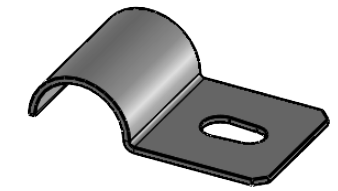
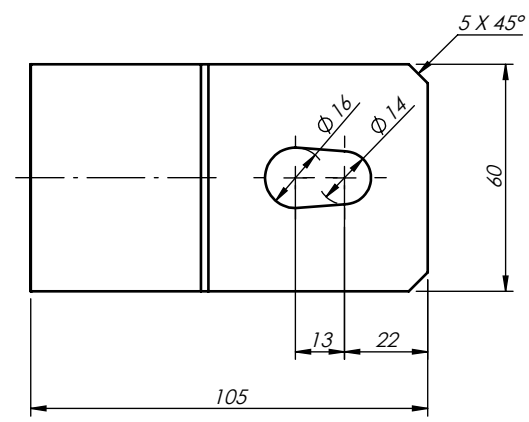
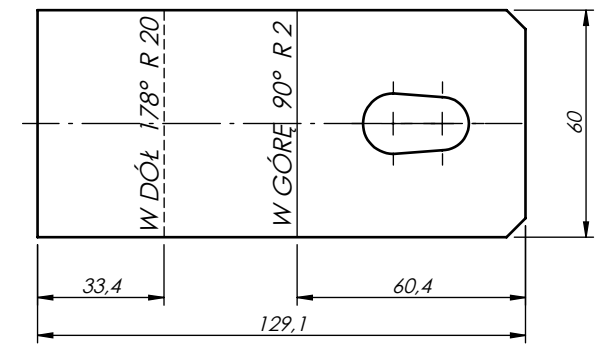
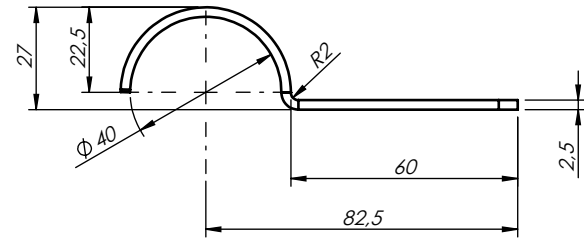


This document is the absolute property of DOMAX Sp. z o.o. This document must not be copied without the written permission of DOMAX Sp. z o.o. The contents thereof must not be disclosed to a third party nor be used for any unauthorized purpose. Contravention will be prosecuted.

Revision				
Rev.	Explanation	Date	Revised by	Approved by



- Note:**
 1. General tolerances EN 22768 mK.
 2. Corrosion protection Z275 MAC.

Design D. Kozłowski		Checked -	Approved -	Note
Drawn D. Kozłowski		Format A4	Scale 1:2	Material DX51D
Index 42118	Date 29.04.2021	Pipe connector		Weight 0.14
 DOMAX Sp. z o.o.		KRS 4		Sheet 1 / 1 Rev 0