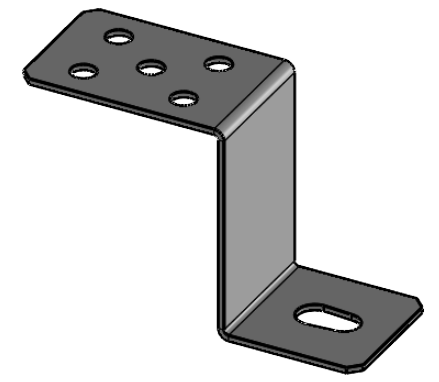
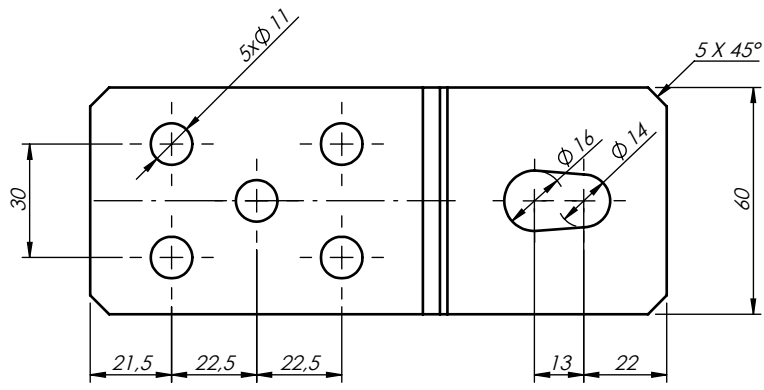
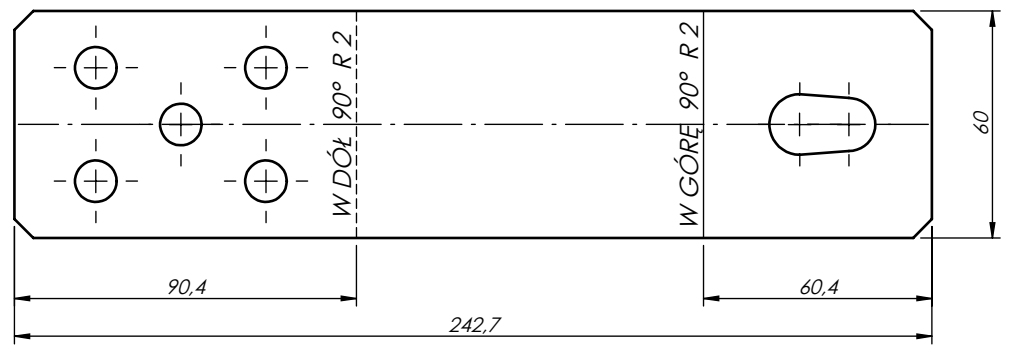
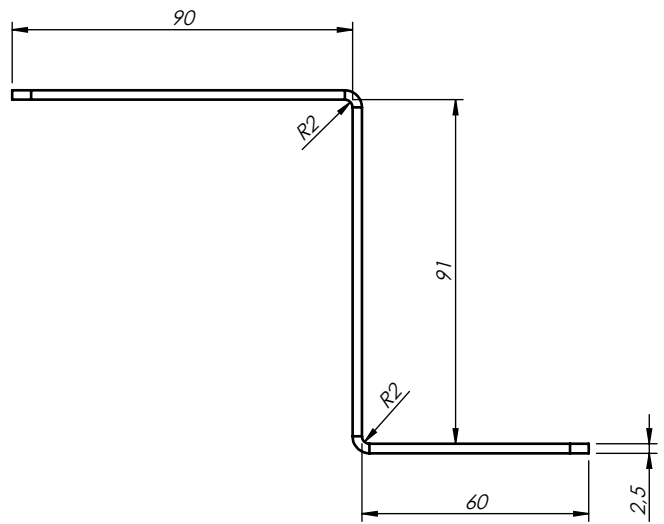


This document is the absolute property of DOMAX Sp. z o.o. This document must not be copied without the written permission of DOMAX Sp. z o.o. The contents thereof must not be disclosed to a third party nor be used for any unauthorized purpose. Contravention will be prosecuted.

Revision				
Rev.	Explanation	Date	Revised by	Approved by



- Note:**
 1. General tolerances EN 22768 mK.
 2. Corrosion protection Z275 MAC.

Design	D. Kozłowski		Checked	-	Approved	-	Note	
Drawn	D. Kozłowski		Format	A4	Scale	1:2	Material	DX51D
Index	42117	Date	29.04.2021	Swing connector		Weight	0.27	Sheet
		KRS 3						1 / 1
DOMAX Sp. z o.o.								Rev
								0