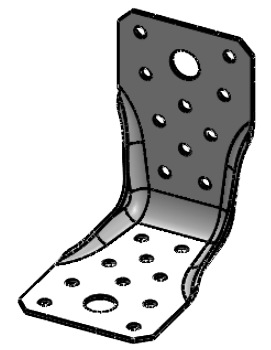
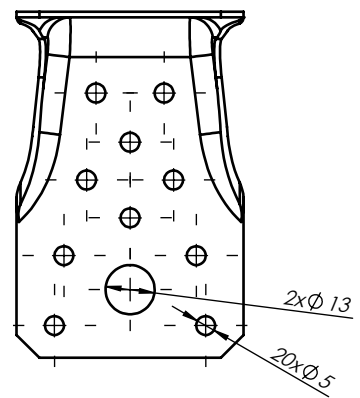
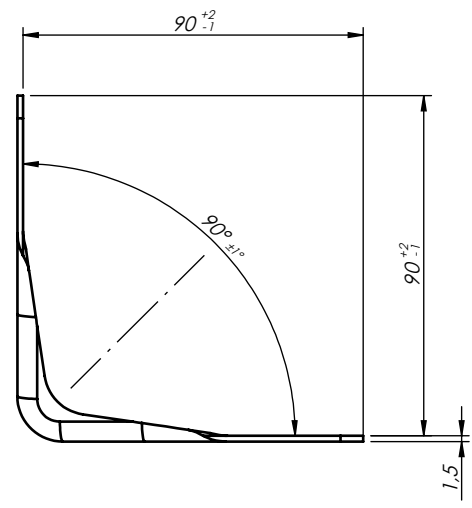
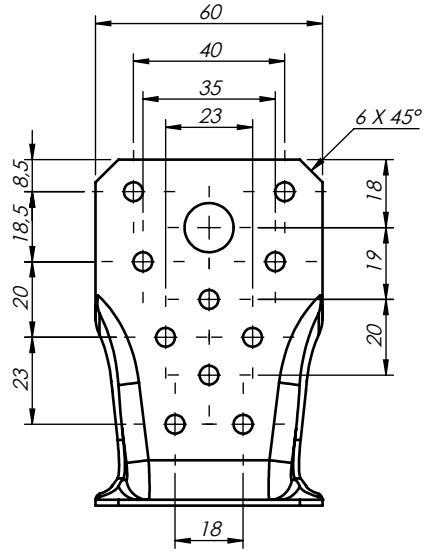


This document is the absolute property of DOMAX Sp. z o.o. This document must not be copied without the written permission of DOMAX Sp. z o.o. The contents thereof must not be disclosed to a third party nor be used for any unauthorized purpose. Contravention will be prosecuted.

Revision				
Rev.	Explanation	Date	Revised by	Approved by



Note:  
1. General tolerances EN 22768 mK.

Design	D. Kozłowski		Checked	-	Approved	-	Note	1.99 dm <sup>2</sup>	
Drawn	D. Kozłowski		Format	A4	Scale	1:2	Material	DX51D	
Index	40302	Date	31.10.2023		Kątownik przetłoczony dwustronnie			Weight	0.11 kg
		-		LBS 90			Sheet	1 / 1	
DOMAX Sp. z o.o.		-		-			Rev	0	