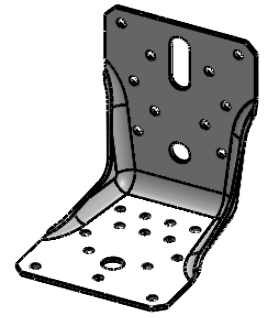
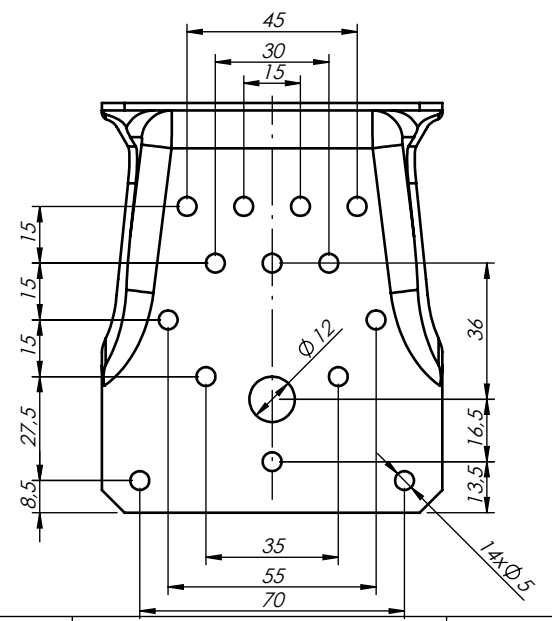
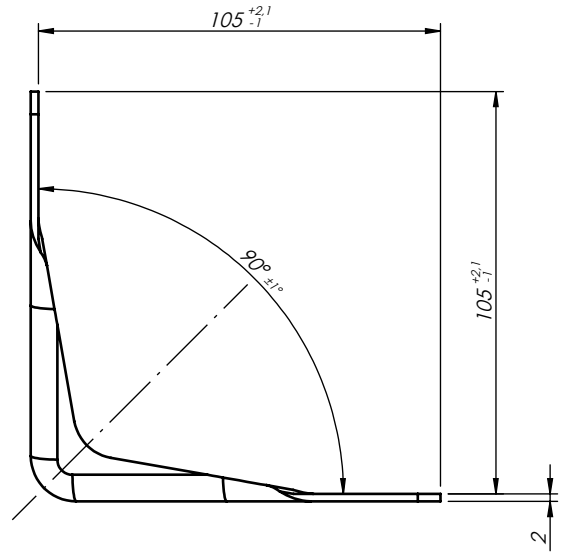
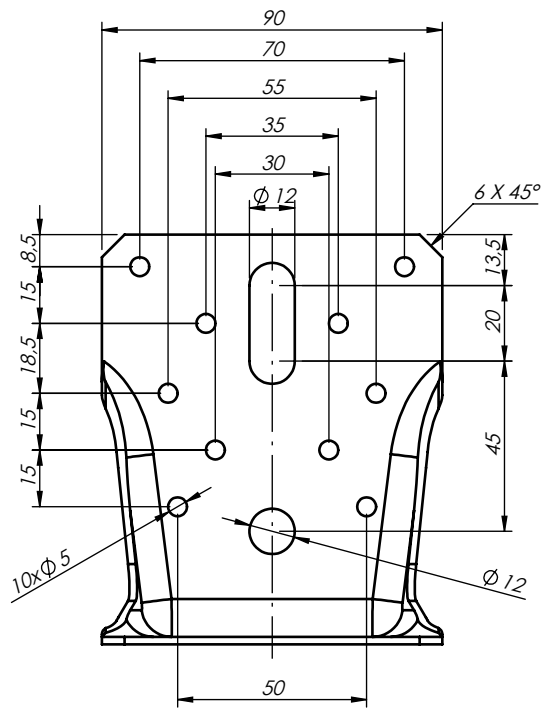


This document is the absolute property of DOMAX Sp. z o.o. This document must not be copied without the written permission of DOMAX Sp. z o.o. The contents thereof must not be disclosed to a third party nor be used for any unauthorized purpose. Contravention will be prosecuted.

Revision				
Rev.	Explanation	Date	Revised by	Approved by



Note:
1. General tolerances EN 22768 mK.

Design	D. Kozłowski	Checked	-	Approved	-	Note	3.65 dm ²	
Drawn	D. Kozłowski	Format	A4	Scale	1:2	Material	DX51D	
Index	40301	Date	31.10.2023	Kątownik przetłoczony dwustronnie			Weight	0.28 kg
		-			LBS 105		Sheet	1 / 1
DOMAX Sp. z o.o.							Rev	0