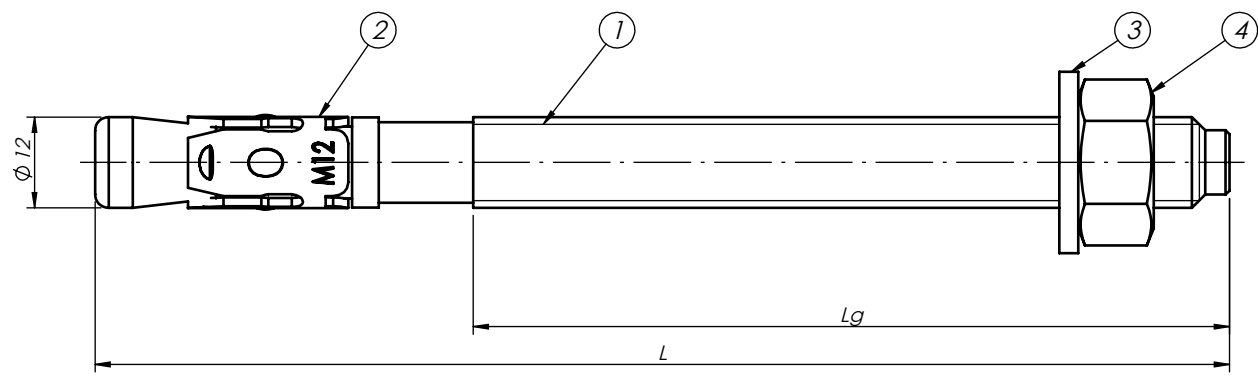


6		5			4		3		2		1		
D	Index	Name	L [mm]	Lg [mm]	Weight [g]	This document is the absolute property of DOMAX Sp. z o.o. This document must not be copied without the written permission of DOMAX Sp. z o.o. The contents thereof must not be disclosed to a third party nor be used for any unauthorized purpose. Contravention will be prosecuted.							
						Revision							
						Rev.	Explanation	Date	Revised by	Approved by			
		PBK M12x70	70	25	76,44								
		PBK M12x75	75	30	80,85								
		PBK M12x80	80	35	85,26								
		PBK M12x85	85	40	89,67								
	3721209	PBK M12x90	90	45	94,08								
		PBK M12x95	95	50	98,49								
	3721210	PBK M12x100	100	50	101,95								
		PBK M12x105	105	55	106,36								
		PBK M12x110	110	60	110,78								
		PBK M12x115	115	65	115,19								
	3721212	PBK M12x120	120	70	119,6								
		PBK M12x125	125	75	124,01								
		PBK M12x130	130	80	128,42								
		PBK M12x135	135	85	132,83								
C	3721214	PBK M12x140	140	90	137,24								
		PBK M12x145	145	95	141,65								
		PBK M12x150	150	100	146,06								
		PBK M12x155	155	100	149,52								
	3721216	PBK M12x160	160	100	152,98								
		PBK M12x165	165	100	156,44								
		PBK M12x170	170	100	159,91								
		PBK M12x175	175	100	163,37								
	3721218	PBK M12x180	180	100	166,83								
		PBK M12x185	185	100	170,29								
		PBK M12x190	190	100	173,75								
		PBK M12x195	195	100	177,21								
	3721220	PBK M12x200	200	100	180,67								
		PBK M12x205	205	100	184,13								
		PBK M12x210	210	100	187,6								
B		PBK M12x215	215	100	191,06								
	3721220	PBK M12x220	220	100	194,52								
		PBK M12x225	225	100	197,98								
		PBK M12x230	230	100	201,44								
		PBK M12x235	235	100	204,9								
	3721224	PBK M12x240	240	100	208,36								
		PBK M12x245	245	100	211,82								
		PBK M12x250	250	100	215,28								
		PBK M12x255	255	100	218,75								
		PBK M12x260	260	100	222,21								
		PBK M12x265	265	100	225,67								
		PBK M12x270	270	100	229,13								
		PBK M12x275	275	100	232,6								
		PBK M12x280	280	100	236,05								
		PBK M12x285	285	100	239,51								
A		PBK M12x290	290	100	242,97								
		PBK M12x295	295	100	246,43								
		PBK M12x300	300	100	249,9								



Note:  
1. General tolerances EN 22768 mK.

Pos.	No.	Name	Description	Material	Weight
4	1	Nut	M12-5 DIN 934-Zn	Carbon steel	15[g]
3	1	Washer	M12 DIN 125-Zn	Carbon steel	6,0[g]
2	1	Mechanical fastener - plate	PBK M12-B	Carbon steel	5,0[g]
1	1	Mechanical fastener M12-rod	PBK M12-P	Carbon steel	-

Design		D.Kozłowski		Checked	-	Approved	-	Note	-	
Drawn		D.Kozłowski		Format	A4	Scale	1:1	Material	-	
Index		13.10.2023		Mechanical fastener M12				Sheet		1 / 1
		Date		PBK M12				Rev		0



DOMAX Sp. z o.o.